

GGG-GL5 Glass Door Cam Lock

Application	Door Material	Key Changes	Master Key	Key	Key Series
Swing door	Glass	Max. 1 million changes	Max. 2,520 changes/ master key, Made to order	Unremovable when to unlock	Million Lock Series

Features

- Cylinder lock for glass swing door
- Can be used together with glass hinge **GGG-GH5** and bracket **GGG-GB5** for a total design of your showcase
- Dimple key with up to 1 million key changes. Reversible key.
- Turn the key 90° to lock and unlock. Key can only be removed when locked

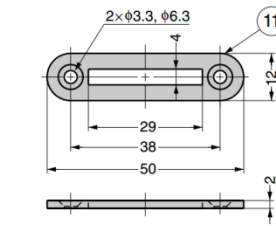
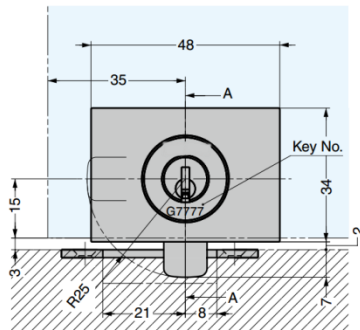
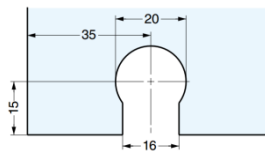
Notes

- Direction of lock plate is fixed
- File on glass door is recommended for safe usage

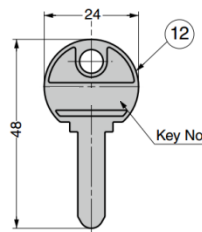
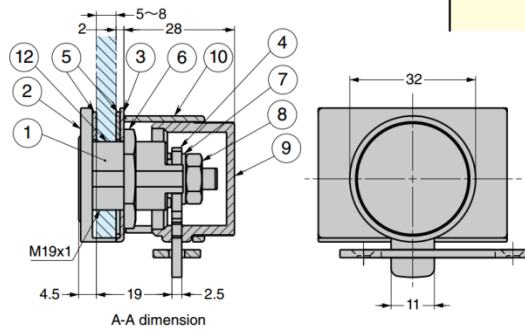
Parts Included

- Countersunk head wood screw 2.7×13
- Key
- Strike plate

Cut Out Dimensions



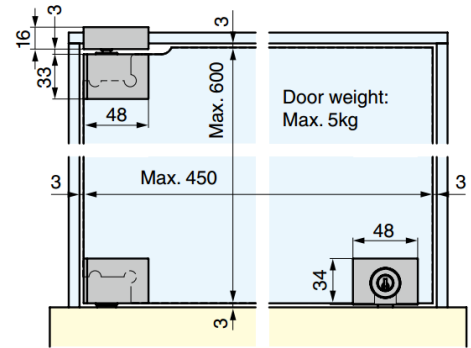
Cut Out Dimensions



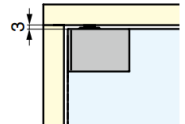
Installation Drawing

Installed with glass hinge **GGG-GH5** and Glass bracket **GGG-GB5**

Glass top panel (Used with Bracket **GGG-GB5**)



Wooden top panel



No.	Part name	Material	Finish/Colour		
			CR	GP	BL
①	Body	Brass			
②	Front Plate	Zinc Alloy (ZDC)	Chrome	Gold (24K) Plated	Black
③	Back Plate				
④	Lock Plate	Stainless Steel (SUS304)	Mirror		
⑤	Gasket	Chloroprene Rubber (CR)	Black		
⑥	Hex Nut	Steel	Silver		
⑦	Washer				
⑧	Hex Nut				
⑨	Cover	Polypropylene (PP)	Black		
⑩	Ring				
⑪	Strike	Stainless Steel (SUS304)	Plain	Gold (24K) Plated	Black
⑫	Key	Brass	Nickel		

Part No.	Finish / Colour	Key Type	Glass Thickness	Key Removal	Key Rotation Angle
GGG-GL5-CR-B	Chrome	Keyed Differently	5 ~ 8	Single Point	90°
GGG-GL5-CR-D		Keyed Alike			
GGG-GL5-GP-B	Gold (24K) Plated	Keyed Differently			
GGG-GL5-GP-D		Keyed Alike			
GGG-GL5-BL-B	Black	Keyed Differently			
GGG-GL5-BL-D		Keyed Alike			